

STEP UP TO PERFORMANCE!

Introducing the first Multi Stepped (Aerated) 1150 Trim Tab

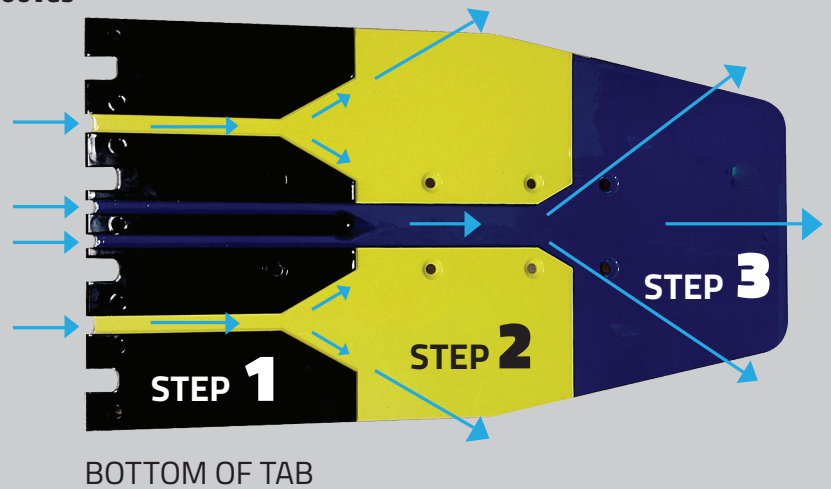
(Patent Pending)

Stepped Bottom Hulls have been around for decades and have proven that the stepped hull design increases speed, reduces drag and increases overall efficiency. That is exactly what you get when you install Livorsi 1150 trim tabs. Standard, non-stepped tab designs stick to the water, reducing speed, performance, and efficiency. Livorsi stepped tabs introduce air via a number of different grooves, channels and steps, reducing that stickiness and making the tab faster and more efficient. These tabs perform flawlessly in all sea conditions and can make your boat more fuel efficient compared to a non-stepped tab. For performance based applications, the stepped design allows the tab to release from the water stream faster, reducing drag and providing an overall faster boat. Why not take advantage of increased performance and efficiency. Try a set today.



FISH TAIL PICTURED

Air is introduced
at grooves



INCREASED AERATION OF THE TAB SURFACE

- Reduces drag and increases efficiency
- Provides increased fuel economy & performance
- Stepped bottom design allows tab to release and re-enter the water stream faster for performance based applications.
- Choose between Livorsi's smaller 12" wide transom plate or the Mercury 14" wide transom plate for retrofits
- All running plates are easily interchangeable (750, 850, 950, 1050, and 1150), allowing quick determination of the 'Right' running plate for the boat being designed or retrofitted.
- Two running plate styles to choose from (Fish Tail and square).
- Livorsi trim tabs accommodate boats from 20' to 60'. Talk to a representative to determine which series will work best in your application.

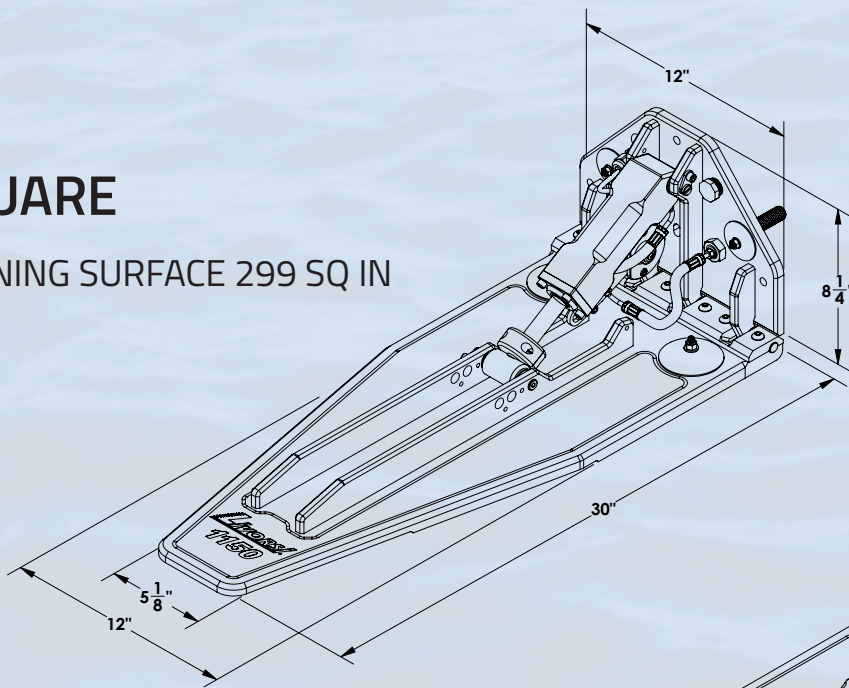
2 STYLE OPTIONS

(FISH TAIL PICTURED)



SQUARE

RUNNING SURFACE 299 SQ IN



FISH TAIL

RUNNING SURFACE 314 SQ IN

